



HX[®] SERIES



Note: The information and conclusions contained herein are believed to be correct at time of publication, but do not necessarily apply to similar vehicles with different specifications or with production dates after the production of this publication. Vehicles with different specifications or later dates of production may yield different results. Vehicle specifications are subject to change without notice. TAD20004 11/2020 ©2020 NAVISTAR Inc. All rights reserved. All marks are trademarks of their respective owners.



INTERNATIONAL[®] HX[®] SERIES.



HERE COMES THE BOOM.

Introducing the new International® HX® Series. Our latest, greatest, biggest, baddest, toughest, most premium, precision sledgehammer.

Built to endure, thrive and dominate any assignment, the HX Series can handle whatever you throw at it. And just like you, the HX Series can take it on the chin and keep moving forward until the job is pinned down into submission - all without breaking a sweat.





SEVERE DUTY JOB? MORE LIKE CHILD'S PLAY.

The HX[®] Series has always been the go-to truck for the toughest applications. And now we've added the features and capabilities that take it to the next level. We designed our Extreme Duty cab to be even more premium with best-in-class interior space and materials designed to provide comfort and support mile after punishing mile. Now more TEM-friendly than ever, the HX Series features built-in Diamond Logic[®] multiplex technology and lift axle options installed at the factory.



BUILT AROUND YOU.

The business-end of any truck is actually behind the steering wheel.

It's the drivers that complete the job and we made sure it's the drivers who get rewarded with our available Diamond Elite interior featuring top-of-the-line materials and equipment like premium Isringhausen seats for best-in-

class comfort. Engineered for productivity, the HX® Series includes a programmable digital gauge cluster so drivers can keep the information they want front and center - including the status of the lift axles.

The standard gauge cluster includes a customizable digital display which provides a wealth of information for the driver, including:

- ▶ Real-time fuel economy
- ▶ Axle load*
- ▶ Custom gauge settings*
- ▶ Safety indicators*
- ▶ Digital speedometer
- ▶ Tire pressure*

The color, illumination, legibility and even the type font and size of gauges is designed to deliver optimal viewing in varying light conditions, maximizing alertness and minimizing eye fatigue.



*When added with optional feature code for required sensors



RULE #1: ALWAYS TAKE CARE OF THE DRIVER.



A SEAT FIT FOR A KING-OF-THE-ROAD



A premium truck demands a premium cab. And just as there's no truck that can out-work the HX® Series, nobody offers a more comfortable interior. The new Diamond Elite trim level provides best-in-class comfort – providing the ideal temperature, support and seating position for the most discerning drivers.

A well-designed seat should help the driver stay fresh and alert. That's why the Diamond Elite seat in the HX® Series has so many adjustments. It can be now be tailored to suit drivers of all shapes and sizes, incorporating features normally only found in luxury automobiles.

Seat cushion adjustment

- ▶ Controls the bottom seat cushion length and tilt
- ▶ Helps accommodate drivers of all heights by distributing leg support

Fore/Aft Isolator & Adjustable Shock Absorber

- ▶ Sometimes known as a "chugger," the fore / aft Isolator dampens the movement/jostling caused by various loads
- ▶ The Adjustable Shock Absorber can vary the stiffness of the ride to match the road profile

Seat Length and Height Adjustment

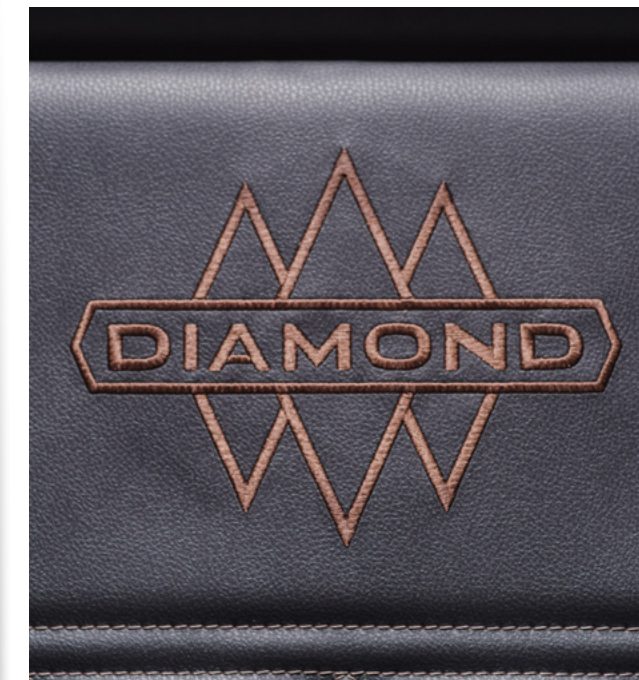
- ▶ The height and length adjustment allows drivers to find the perfect driving position
- ▶ Pneumatic Lumbar and Side Bolster Supports
- ▶ The 2-chamber lumbar adjustment is especially appreciated by drivers who spend long hours behind the wheel
- ▶ Pneumatic side bolsters provide additional upper body support and helps the the driver sit more upright

Seat Backrest and Armrest

- ▶ The adjustable backrest provides up to 52 degrees of range
- ▶ The armrest is designed to provide support for drivers of various sizes

Seat Climate Control

- ▶ Active seat ventilation helps keep drivers and passengers comfortable on a long drive in any weather
- ▶ Two fans draw fresh cabin air into the seats allowing the air to circulate and keeping perspiration to a minimum
- ▶ A sensor is located in both the seat and backrest to ensure uniform temperature distribution



"Every little creature comfort you can get to help make the operation of the truck easier, it's a big deal for the driver."

- Group Ready Mix Manager Justin Tucker

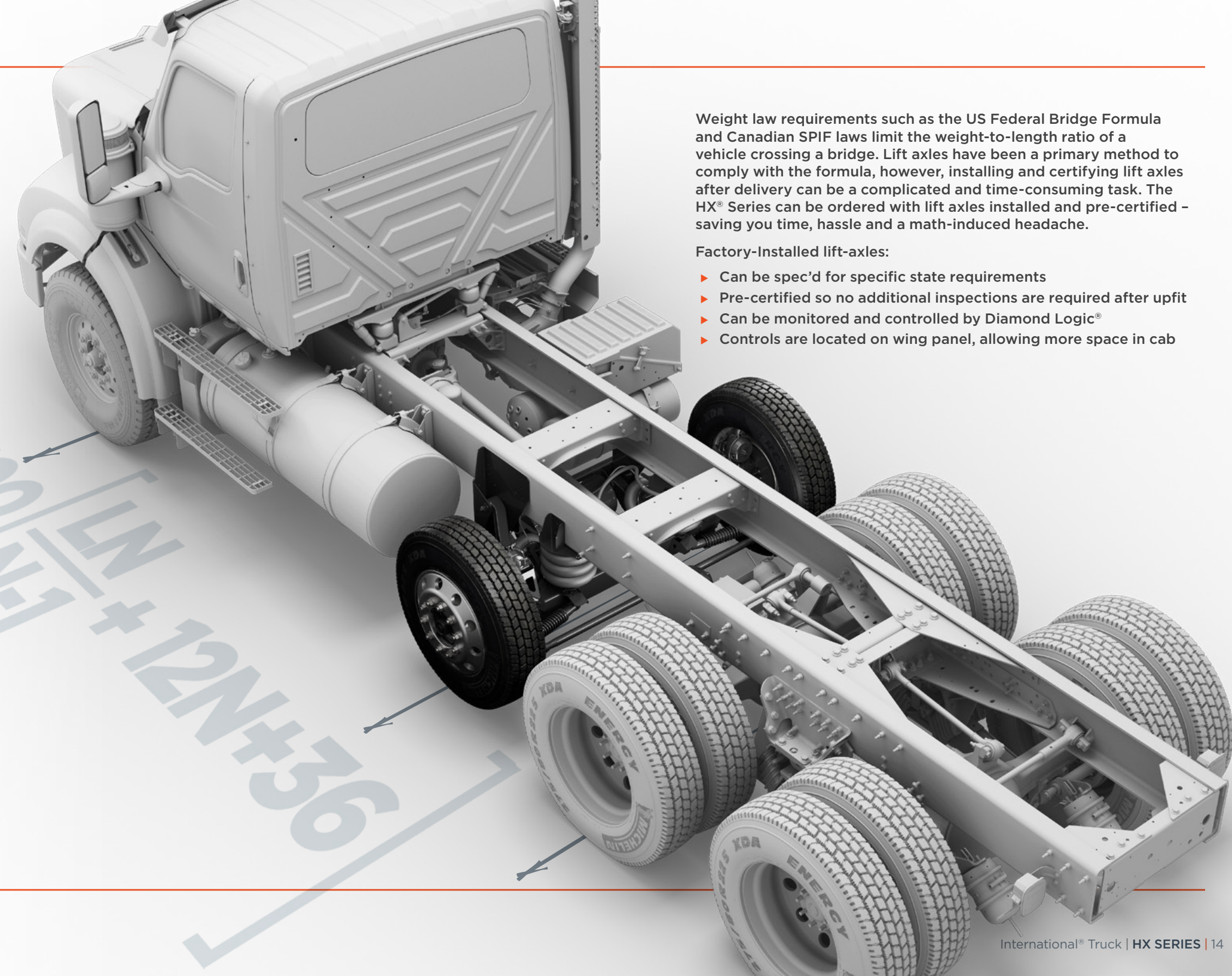




A 45-TON ROLLING BILLBOARD.



A new cab means new possibilities including a new integrated character line on the body sides — perfect for pin striping and custom graphics. Functional chrome external air cleaners are available along with chrome pedestal mirrors, grille surround and bumper. LED daytime running lights make a bold statement and a long list of stainless-steel components are available including a visor, bug deflector and more.



Weight law requirements such as the US Federal Bridge Formula and Canadian SPIF laws limit the weight-to-length ratio of a vehicle crossing a bridge. Lift axles have been a primary method to comply with the formula, however, installing and certifying lift axles after delivery can be a complicated and time-consuming task. The HX® Series can be ordered with lift axles installed and pre-certified – saving you time, hassle and a math-induced headache.

Factory-Installed lift-axes:

- ▶ Can be spec'd for specific state requirements
- ▶ Pre-certified so no additional inspections are required after upfit
- ▶ Can be monitored and controlled by Diamond Logic®
- ▶ Controls are located on wing panel, allowing more space in cab

READY TO RUMBLE.

The new HX® Series is now available with a dynamic range of factory-installed lift axles, pre-certified and ready to get to work. Spacing accommodations can be made for various bridge laws and the controls for the lift axle are now integrated into the wing panel through Diamond Logic – freeing up the space between the front seats for other important items – like coffee mugs and hard hats.





CAB OF STEEL.

Extreme Duty Cab

The cab of the new HX® Series is made of tough, durable, easy-to-repair steel. New advancements in manufacturing mean that steel can now offer the same corrosion resistance as aluminum without a weight penalty – not to mention greater strength. The steel cab allows for a larger, quieter interior with air-tight, water-tight seals. Beefy door hinges and reinforced B-Pillars (to support the cab-mounted exhaust) are just a few more examples of the endurance-boosting features found on the new HX Series.

ChemGuard Coating

This inter-reactive, chrome-zinc phosphate coating is applied on top of the galvanized steel. Its self-healing properties allow the surface to be scratched, cut or perforated and still maintain corrosion protection.

Line-X Coating

This polyurethane and polyurea formulation has earned industry respect for its durable, long-lasting and high-performance qualities. Designed to protect against abrasion, corrosion and impact, this OEM-grade coating can be found on over 4 million pickup bedliners.

Reinforced B-Pillars

For extra cab strength and to support the new cab-mounted exhaust option, every HX Series includes reinforced B-Pillars.



ChemGuard Coating

Line-X Coating

Reinforced B-Pillars



A No-Compromise Anti-Corrosion Approach

To provide the strength and easy-to-repair qualities of steel with the corrosion resistance severe-duty customers demand, the Extreme Duty cab of the HX® Series features a special paint and coating process designed with endurance in mind.

Corrosion Protection Process:

1. Stamped galvanized steel
2. Custom-engineered caustic and surfactant formula cleans and preps the steel
3. Proprietary tri-metal (nickel, zinc, manganese) phosphate blend provides robust corrosion protection and the first level of paint adhesion
4. Epoxy-based electrodeposition primer, or E-Coat is applied. This covers and seals the entire exposed metal surface of the cab
5. Acrylic basecoat
6. Urethane clearcoat

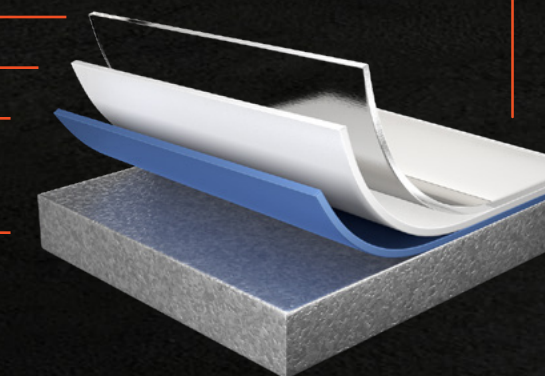
E-Coat Paint Process

Clearcoat

Basecoat

E-coat

Galvanized Steel



STRUCTURAL ENHANCEMENTS

After extensive CAD modeling and rigorous testing, International engineers made various structural enhancements to the cab to achieve even greater toughness.

Strut Brace (sleeper only)

- ▶ A new strut brace improves dash endurance.



Sled Runners (day cab and sleeper)

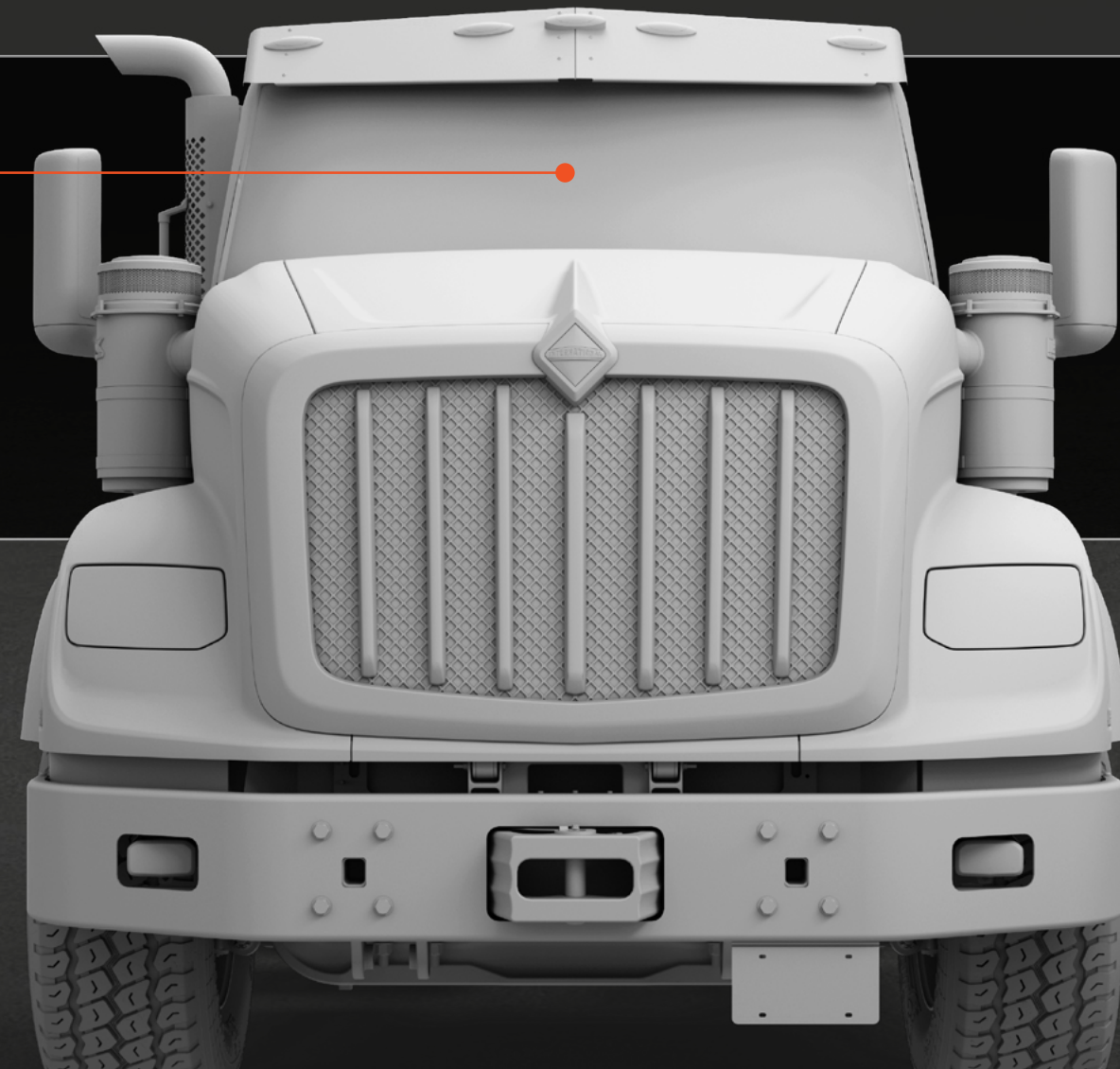
- ▶ The HX® Series cab variants feature high strength steel sled runners for improved durability





AS COMFORTABLE ON THE SITE AS YOU ARE GETTING THERE.

Getting to the worksite is only half the job. Being productive at the worksite is what pays the bills. The HX® Series makes this task as easy as possible by providing industry-leading HVAC, expansive driver sight lines and impressive, obstacle-avoiding maneuverability – not to mention its spacious and accommodating cab – a cab you can work in all day long without feeling cramped.



25 MINUTES

DEFROST LIKE NOBODY'S BUSINESS.

The quicker you can see, the quicker you can get to work. We've made great strides in improving the defrost power of the HX Series over the years, but nothing like this. Our internal testing cleared the entire windshield (cold soaked at zero degrees overnight) in 25 minutes – despite the fact that it's now 400 sq. in. bigger.

WORKSITE DURABILITY.

The worksite can be a rough place and very few vehicles leave without some kind of battle wound. But if the truck is made out of the right materials, the repair can be relatively painless. Compared to aluminum, repairing steel body panels like those found on the new HX Series is a piece of cake. Plus, the new DCPD (Dicyclopentadiene) three-piece hood is stronger than fiberglass and resists cracking over the life of the truck.

EASIER SLEEPER ACCESS.

Improved driver pivot access, seat recline, and greater leg room and a redesigned lower console make it easier to turn in for the night.

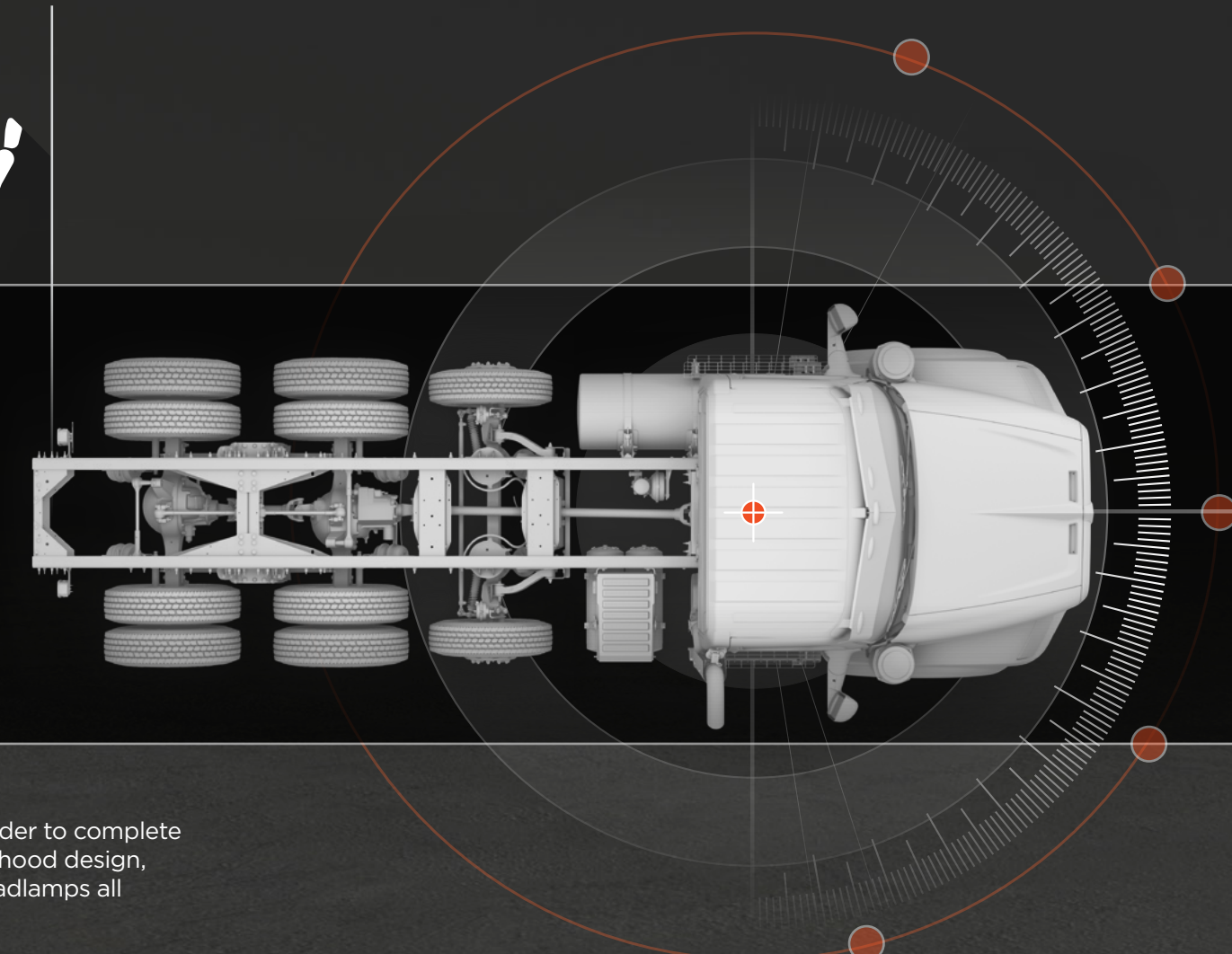


ROOM TO APPRECIATE.

The door panels help increase hip and elbow room while providing a more comfortable place to rest your arm. The full-grip interior handle makes doors easier to open and close, while the door pockets offer easier access to maps or paperwork.

SEE THAT IT'S DONE.

Good visibility at the worksite is crucial in order to complete the job safely and efficiently. A new, sloped hood design, larger windshield, and precision halogen headlamps all contribute to provide outstanding visibility.

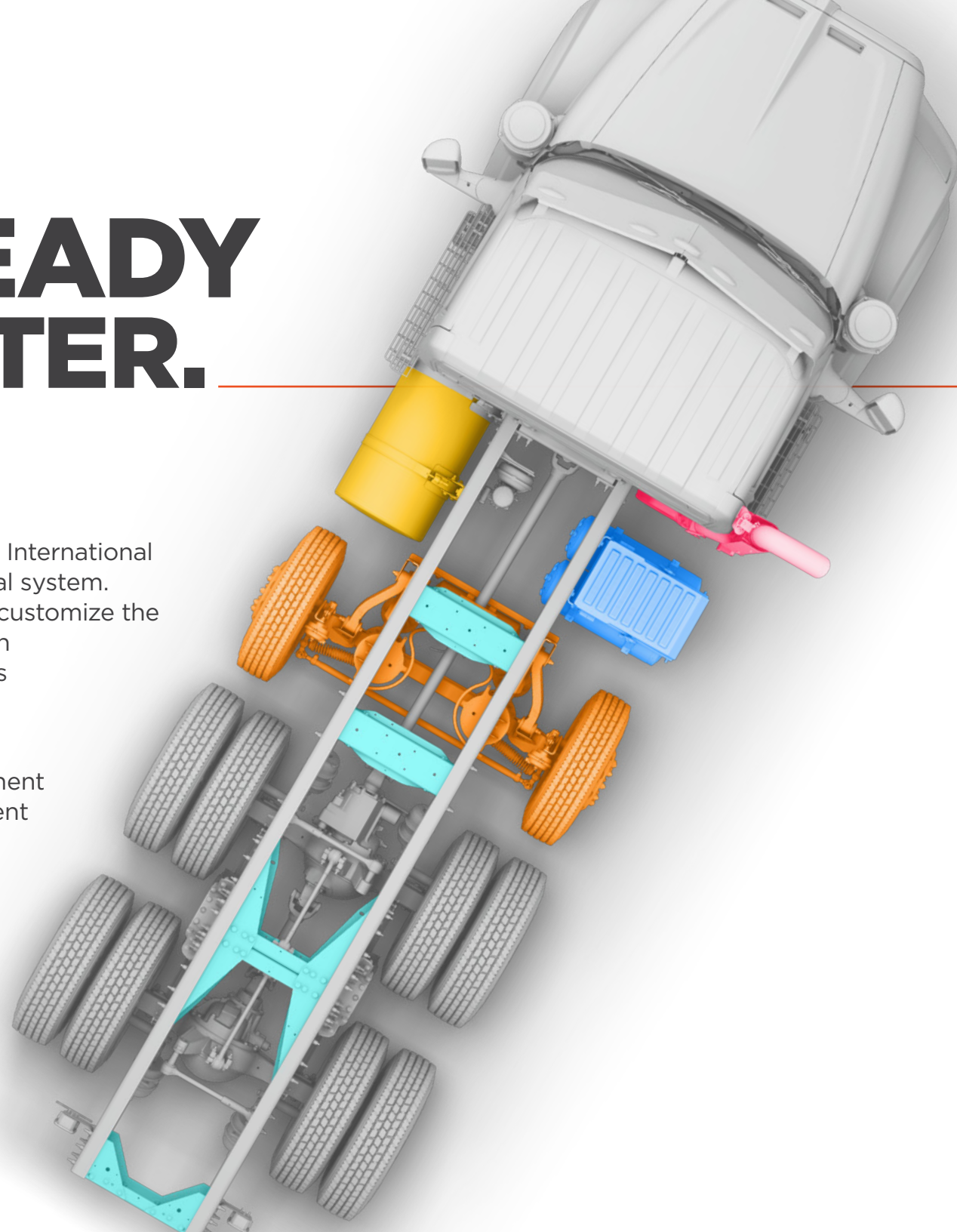




A TEM-READY TASK MASTER.

The new HX® Series is now equipped with the International Diamond Logic® capable multiplexed electrical system. This powerful electrical system allows you to customize the vehicle chassis to suit your specific application needs enabling control of vehicle components and body equipment.

Combined with the clean CA frame rails, factory-installed lift axles and flexible component locations, the HX Series allows Truck Equipment Manufacturer/Body Builders (TEMs) to create the ideal solution for your application needs.



Body Company Benefits—Mixer:

- ▶ Specific cross-member location to accommodate mixer PTO pump
- ▶ Factory-installed transition brackets for body mounting
- ▶ Inverted after-frame cross members for booster axle ram clearance

Body Company Benefits—Crane:

- ▶ Customized frame ladder and component locations to meet body packaging requirements
- ▶ Available integral front frame extensions
- ▶ Single 1/2", 3.5 million RBM straight frame rail provides high strength for high capacity crane applications

Body Company Benefits—Dump:

- ▶ Single 1/2", 3.5 million RBM straight frame rail provides high strength without added weight or risk of corrosion
- ▶ Factory installed lift axles with many customizable chassis packaging options
- ▶ Available in-cab battery box provides increased chassis packaging flexibility

INTERNATIONAL TRUCK SPECIALTY CENTERS

Your quick, efficient and cost-effective upfitting solution. Count on:

- ▶ Quality modifications covered under manufacturer's warranty
- ▶ Upfit process supervised by International engineers to ensure factory production-level quality
- ▶ Expertise to identify and resolve problems quickly
- ▶ A quick and efficient process ensured by optimized delivery cycle times and comprehensive factory support



DIAMOND PARTNER

LINKING TEMS WITH DEALERS TO STREAMLINE INSTALLATIONS AND ENHANCE CUSTOMER UPTIME

The Diamond Partner Program creates a new conduit between International Truck, our dealers and TEMs by providing industry-leading body-builder support materials and services. Through the program, it's now easier than ever for TEMs to mount their equipment faster, with a higher build quality and lower costs. In addition, the program facilitates joint marketing opportunities that can help increase awareness of the dealer and TEM partners.



Make complicated applications safer, more seamless and easier-to-use.

The International® Truck electrical system is a multiplexed, Diamond Logic® capable system that is considered the most advanced in the industry—and for good reason.

Diamond Logic streamlines chassis and body equipment integration and allows customers to choose from nearly 200 pre-programmed tasks. Customers can also develop their own with the help of a technician (over 260 International technicians are certified Level 3 - the highest certification) or completely on their own using Diamond Logic Builder software. The result is more consistent integrations, improved performance, increased equipment protection and crew safety.

Safety First

Diamond Logic opens up a world possibilities when it comes to safety.

- ▶ **Safety for the Driver:** Various functions including pre-trip inspections, interlocks, auto work lights, and equipment status lights can be programmed to help ensure driver safety and assist in protecting your vehicle
- ▶ **Safety on the Jobsite:** Interlocks for boom hydraulics, outriggers and PTO can increase the safety of all those nearby
- ▶ **Protecting Your Equipment:** Diamond Logic capabilities like an auto-locking and unlocking diff-lock, help mitigate human errors that can sometimes damage your equipment

THE DIAMOND LOGIC® ELECTRICAL SYSTEM.



DIAMOND LOGIC BUILDER

Have a specific application requirement? International can train and certify your technicians on Diamond Logic Builder so you can write your own custom logic as you go.





WORK HARD.
REST EASY.

Trim Level Features/Availability

Nothing feels better after a hard day's work than a solid night's rest. The optional HX® Series sleeper cab provides drivers with a comfortable and spacious home where they can kick back, relax, and catch some z's. Because when dawn breaks, they need to be ready to get back to work — just like always.

HX SERIES SLEEPER CAB FEATURES

- ▶ Control panel located at head of bunk for blower speed, temperature controls, winter/summer selector switch, roof light switch, radio volume and balance controls, 12-volt power source
- ▶ Lift-up bunk with latch and lighting
- ▶ Available windshield curtain for privacy
- ▶ Available inner spring mattress for lower bunk
- ▶ Available insulated sleeper compartment curtain
- ▶ Two exterior lockers for access to luggage within the sleeper



SLEEPER FEATURES

12 Volt Power Supply
Trim Panels
Headliner
Sleeper Windows
Windshield Curtain
Sleeper Control Panel
Microwave Accommodation
TV Accommodation

DIAMOND ELITE

Standard
Easy To Clean Soft Vinyl Trim With Satin Mahogany Inserts
Soft Vinyl
Standard
Optional
Standard
Optional
Optional

56" Low Roof Sleeper Features

Overhead Storage	Two Airline Style Cabinets Standard, with an Option for Two Additional
------------------	--

56" Hi-Rise Sleeper Features

Overhead Storage	Two Compartments with Netting or Doors
Rear Wall Storage	Optional

73" Hi-Rise Sleeper Features

Overhead Storage	Optional Two or Four Compartments with Nets or Optional Doors
Rear Wall Storage	Optional
Driver Side Wardrobe	Standard, Optional Doors
Passenger Side Cabinets	Utility Cabinet, Lower Right Wardrobe Tower Cabinet, Dresser Cabinet, Refrigerator Storage With or Without Doors

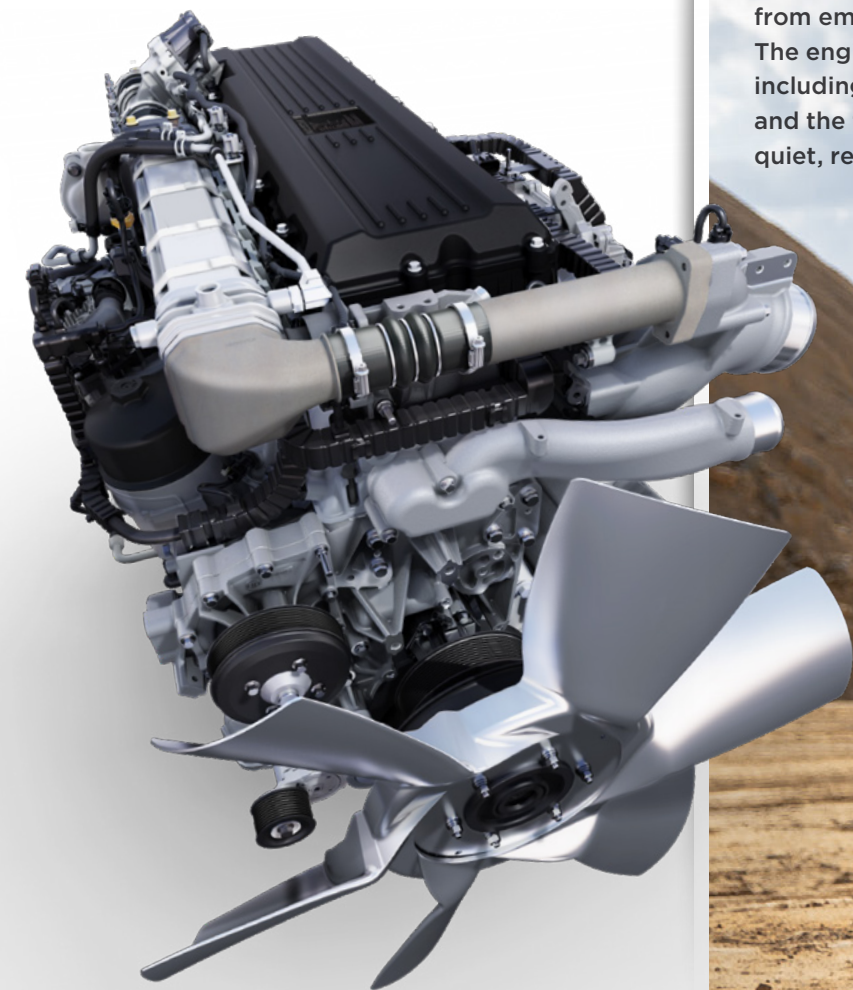


A26

INTERNATIONAL® A26

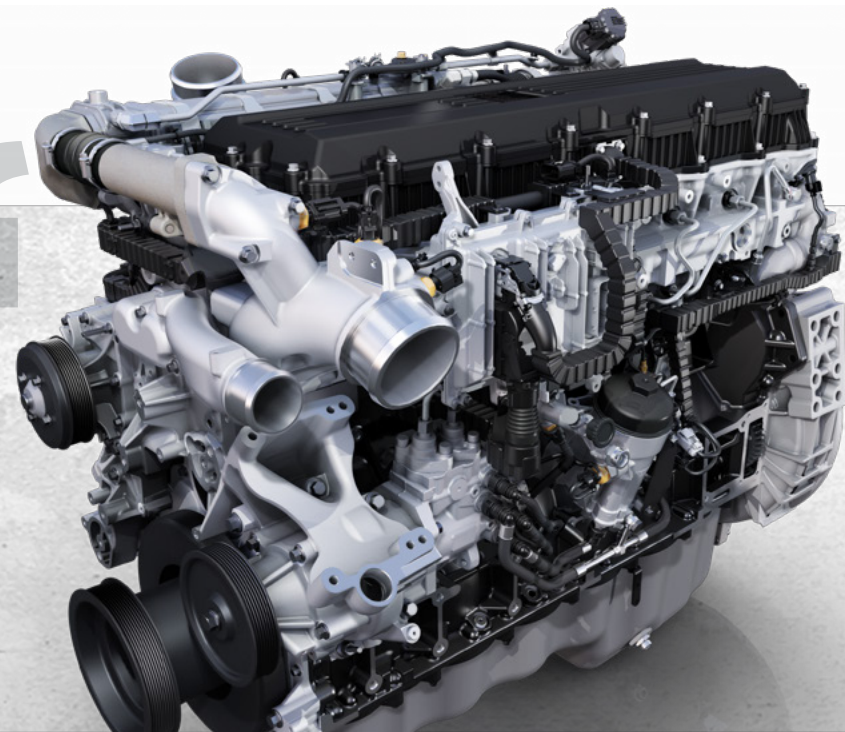
A POWERFUL AND EFFICIENT WORKHORSE READY TO TAKE ON ANY AND ALL JOBS.

Over 6,000 vocational International® A26 engines have been built in our Huntsville, Alabama engine assembly plant powering everything from emergency vehicles, mixers, overhead applications and more. The engine has proven itself in all types of extreme weather including the desert of New Mexico, the mountains of Colorado and the frigid temperatures of Quebec. For those seeking smooth, quiet, reliable power, look no further than the International A26.





THE ONLY OPINION THAT MATTERS: YOURS.



**“WE’VE HAD ZERO DOWNTIME
WITH THESE TRUCKS.”**

STEVE SPERBECK,
GENERAL MANAGER, ERL INTERMODAL

**“THE A26 HAS PLENTY OF POWER TO PULL A BULK TRAILER OF CEMENT
POWDER 650 MILES EVERY DAY, FIVE DAYS A WEEK. EVERYWHERE WE GO,
WE RUN 80,000 POUNDS. THERE’S A LOT OF HILLS AND STOP-AND-START
DRIVING, AND IT PULLS GREAT EVEN WHEN I’M FULLY LOADED.”**

DAVID “FUZZY” STAFFORD

WEIGHT



**LIGHTEST ENGINE OVER
12L AT 2,299 LBS.**

INCREASED PAYLOAD CAPACITY AND FUEL ECONOMY

NOISE



**QUIETEST ENGINE
HIGHER DRIVER SATISFACTION
AND DRIVER RETENTION**

UPTIME



**EASE OF SERVICE
LEADS TO UPTIME**

OVER THE AIR (OTA) PROGRAMMING
Update to the latest engine calibration

UPPER VALVE COVER
Only the upper valve cover is removed
to adjust valve lash

WIRE HARNESES
Foam encapsulated for abrasion resistance
Molded in brackets are mounted with bolts
for consistent installation

CARTRIDGE STYLE FUEL AND OIL FILTERS
Ease of service

HAND PRIMER FUEL PUMP
Easy access
2.5 times larger for easy use

MASS AIR FLOW (MAF) SENSOR
Located in the fresh air inlet,
it does not require cleaning

HIGH TEMPERATURE FASTENERS
A permanent coating on fasteners for
the exhaust manifolds, turbocharger,
and heat shields is to prevent seizing

A26 COMMAND CENTER



This cross-functional team of specialists proactively monitors
A26 engines around-the-clock to ensure all are running at 100%.

**A26 REPAIR VELOCITY EXCEEDS THE GOAL OF
80% OF REPAIRS IN LESS THAN 24 HOURS.**



INTERNATIONAL® A26 / HX620

The big bore International® A26 is engineered to set the standard in uptime, fuel efficiency and quiet operation. Producing up to 500 HP and 1,750 lb.-ft. of torque in the HX® Series, this 12.4L diesel includes a Variable Geometry Turbocharger (VGT) with a titanium compressor wheel for superior longevity versus aluminum designs. The A26 is also backed by the industry's best warranty and is the first engine to meet the B10 standard that requires 90% of delivered engines to travel 1,200,000 miles before a major repair.

Engine Type	Diesel, 4-Cycle
Configuration	Inline 6-Cylinder
Displacement	12.4 L (758 cu. in.)
Bore & Stroke	4.96 in. & 6.54 in. (126 mm & 166 mm)
Compression Ratio	18.5:1
Aspiration	Single Stage Variable Geometry Turbocharger, Intercooler & Aftercooler
Combustion System	Direct Injection
Engine Lubrication	42 Quarts (40 L)
Total Engine Weight (Dry)	2,299 lbs (1043 kg)
Valves	4 Valves Per Cylinder, Single Overhead Camshaft
B10 Design Life	1,200,000 mi (1,931,000 km)



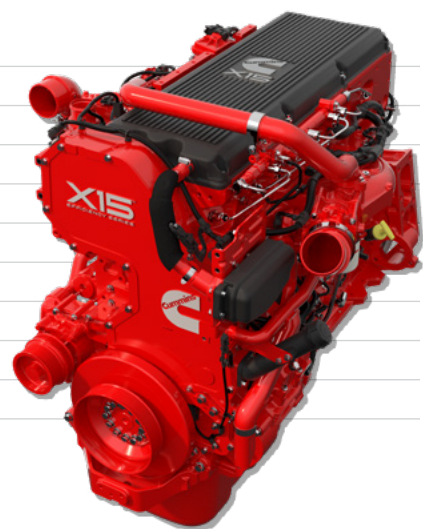
Series

Code	HP Rating	Governed Speed RPM	Torque Rating (lb-ft @ RPM)
12BDY¹	370	2100	1350 @ 1000
12BDZ	390	2100	1450 @ 1000
12BEA	410	2100	1450 @ 1000
12BEB	430	2100	1550 @ 1000
12BEC	450	2100	1700 @ 1000
12BED	475	2100	1700 @ 1000
12BGP	500	2100	1750 @ 1000

CUMMINS® X15 / HX520, HX620

The Cummins® X15 is one of the most popular heavy-duty engines in North America, for good reason. With horsepower ratings up to 605HP and 2,050 lb-ft of torque, the X15 delivers relentless performance. This power comes with plenty of efficiency, too, thanks to an XPI fuel system that gets the most out of every drop of fuel. With a standard engine brake and the power your workload demands, the X15 has what it takes to get the job done.

Engine Type	Diesel, 4-Cycle
Configuration	Inline 6-Cylinder
Displacement	14.9 L (912 cu. in.)
Bore & Stroke	5.39 in. & 6.65 in. (137mm & 169mm)
Compression Ratio	18.9:1
Aspiration	Variable Geometry Turbocharger
Combustion System	Direct Injection XPI Fuel System
Engine Lubrication	56 Quarts (53 L)
Total Engine Weight (Dry)	3,186 lbs. (1,445 kg)
Valves	4 Valves per Cylinder, Single Overhead Camshaft
B50 Design Life	1,000,000 mi (1,609,000 km)



Productivity Series

Code	HP Rating	Governed Speed RPM	Torque Rating (lb-ft @ RPM)
12ETK	430	2000	1650 @ 950
12ETL¹	450	2000	1650 @ 950
12EVP	450	2000	1750 @ 950
12ETM	470	2000	1750 @ 950
12ETN	500	2000	1850 @ 950
12EPH²	565	2100	1850 @ 1000
12ETS	565	2000	1850 @ 1000
12EPD	605	2000	1850 @ 1000
12EPE	605	2000	2050 @ 1000
12ETP²	605	2100	1850 @ 1000

Performance Series

Code	HP Rating	Governed Speed RPM	Torque Rating (lb-ft @ RPM)
12ENZ	525	1900	1850 @ 1000
12EPB	565	1900	1850 @ 1000
12EPC	565	1900	2050 @ 1000

1 = Standard on HX620

2 = Rated for emergency vehicles only. Other X15 engines listed are not available for emergency applications.



HX® Series equipped with International® A26 engine



HX[®] SERIES SPECIFICATIONS

HX520

120" BBC Set-Forward Front Axle Truck or Tractor

Primary Vocations:

- Heavy Haul Tractor
- Construction Dump
- Logging
- Recovery

Key Features:

- Powerful 15L Cummins[®] X15 power up to 605 HP / 2,050 lb.-ft. torque
- Excellent bridge formula chassis
- Available 0.5", 3.5 million RBM single rail frame
- Available 150,000 lb. Tow Pin
- Available dual external air cleaners for HD filtration
- BA = 29.9"

HX620

119" BBC Set-Back Front Axle Truck or Tractor

Primary Vocations:

- Heavy Haul Tractor
- Construction Dump
- Platform Stake/Crane

Key Features:

- International[®] A26 engine up to 500 HP / 1,750 lb.-ft. torque
- Powerful 15L Cummins[®] X15 power up to 605 HP / 2,050 lb.-ft. torque
- Available 0.5", 3.5 million RBM single rail frame
- Available 150,000 lb. Tow Pin
- Front axles up to 22K
- Tandem rear axles up to 70K and Tridem to 53K
- Available dual external air cleaners for HD filtration
- BA = 50.2"



GVWR

- ▶ 52,000 – 92,000 lbs.

Models

- ▶ HX520 120" BBC, Set-Forward Front Axle Truck or Tractor
- ▶ HX620 119" BBC, Set-Back Front Axle Truck or Tractor

Axle Configurations

- ▶ 6x4
- ▶ 8x6
- ▶ 4x2 (upon request)

Cab Configurations

- ▶ Day Cab
- ▶ 56" Low and High Sleeper Cabs
- ▶ 73" High Sleeper Cab

Heat Treated Alloy Steel 120,000 PSI Frames

- ▶ Single Rail
 - 3/8": 10.25"x3.61"x0.375": 2,037,600 RBM
 - 3/8": 12.25"x3.380"x0.375": 2,521,200 RBM
 - 1/2": 12.5"x3.750"x0.5": 3,536,400 RBM
- ▶ Double Rail
 - 5/16"+ 5/16": 10.813"x3.893"x0.625": 3,580,800 RBM
 - 3/8"+ 5/16": 13.030"x3.687"x0.6875": 4,854,000 RBM

Engines

- ▶ International[®] A26 12.4L
 - HX620
 - 370 – 500 HP*
 - 1,350 – 1,750 lb.-ft.
- ▶ Cummins[®] X15 15L
 - HX520 / HX620
 - 430 – 805 HP
 - 1,650 – 2050 lb.-ft.

Transmissions

- ▶ Eaton Manual: 8LL (10), 9ALL (11), 13, 18-speed
- ▶ Eaton Automated: 8LL (10), 9ALL (11), 13, and 18-speed UltraShiftPLUS[®]
- ▶ Allison Automatic: EVS, RDS, OFS Series

Clutch

- ▶ Standard: Hydraulic with Air Assist

Power Take Off

- ▶ Front Engine PTO (FEPTO) HX520
- ▶ Rear Engine PTO (REPTO) HX520, HX620

Front Axles (Wide Track)

- ▶ HX620
 - Dana: 16,000 – 22,000 lbs.
 - Meritor: 12,000 – 22,000 lbs.
- ▶ HX520
 - Meritor: 12,000 – 22,000 lbs.

Front Suspensions

- ▶ HX520
 - Parabolic Taper-leaf: 12,000 – 20,000 lbs.
- ▶ HX620
 - Multi-leaf: 14,000 – 23,000 lbs.
 - Parabolic Taper-leaf: 13,200 – 22,000 lbs.
 - Slipper-Type: 20,000 – 24,000 lbs.

Rear Axles

- ▶ Tandem Rear Axles
 - Dana: 46,000 – 52,000 lbs. Single and Two Speed
 - Meritor: 40,000 – 70,000 lbs. Single and Double Reduction
- ▶ Tridem Rear Axles
 - Meritor: 53,000 – 69,000 lbs.

Rear Suspensions

- ▶ Spring Suspensions
 - Chalmers: 40,000 – 52,000 lbs.
 - Hendrickson HAULMAAX EX: 40,000 – 52,000 lbs
 - Hendrickson R, RT: 40,000 – 80,000 lbs.
- ▶ Air Suspensions
 - Hendrickson HAS: 40,000 – 46,000 lbs. 55" and 60" spacing
 - Hendrickson PRIMAAX EX: 46,000 – 52,000 lbs. 55", 60", 72" spacing
 - Hendrickson PAX Tridem: 69,000 lbs.



OnCommand[®] Connection



Transmit Truck Data



Diagnose Faults and Identify Severity



Inform Fleet Managers



Increase Uptime and Lower Repair Costs

OnCommand[®] Connection turns raw telematics data into actionable intelligence for all vocational truck fleets, regardless of size. Our flagship product is Advanced Remote Diagnostics, a software solution with tools designed to keep owners and fleet managers informed on the health of their vehicles so that they can address issues quickly and efficiently and maximize vehicle uptime.

SERVICE	Advanced Preventive Maintenance	Fleet Health Monitoring
FEATURE	Data-driven, VIN-level recommendations	Weekly reports on vehicles most at risk of roadside failure
BENEFIT	Maintenance cost savings through more efficient planning and fewer premature oil changes	Fewer breakdown events

Our tools include:

- An online dashboard with real-time vehicle mapping, so you always know the exact location of your vehicles
- Comprehensive vehicle health reports for each connected vehicle
- Reports that detail diagnostic trouble codes (DTCs), including severity ratings for vehicles that need immediate service, and those that can wait for their next scheduled maintenance

- Fault Code Action Plans that translate engine light indicators into simple terms for maintenance and service managers, describing the issue, parts and services needed, and more
- Driver behavior data including harsh acceleration and braking, as well as excessive idle time
- Customizable reporting delivered to your email inbox, including alerts that can be set up based on vehicle location and fault code severity

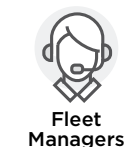
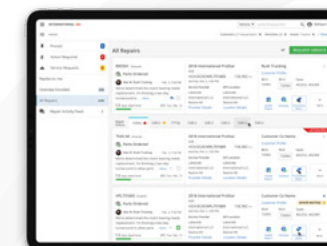
It's solutions like these that have translated into customers seeing up to 80 percent reductions in vehicle faults requiring a tow, and up to 30 percent reductions in unplanned repair and maintenance costs.

INTERNATIONAL[®] 360

International[®] 360 Services

International[®] 360 is a groundbreaking service communications and fleet management platform that delivers seamless and transparent communications with the International[®] service network. This advanced tool features a comprehensive, easy-to-use interface that supports fleets of all makes.

- ▶ **Seamless communications with dealers:** Provides a direct channel of communication to dealers and delivers updates however you need them - via email, through the International 360 portal, or into your existing fleet management systems.
- ▶ **Transparent visibility to repair status:** Keeps you updated on the location, repair status, and estimated time of completion for your assets.
- ▶ **Complete data integration:** Vehicle specs, service history, open campaigns, parts catalogs, even remote health data through telematics integrations powered by OnCommand[®] Connection and connected with 24+ Telematics Service Providers.
- ▶ **Easy to use:** Simple, intuitive design. Online service initiation, communication and electronic estimate approvals help expedite the service process. Integration with our dealer parts inventory system helps you find the fit-right parts fast.



Fleet Managers



Dealers and Service Centers



INTERNATIONAL
360



Connected Fleet Providers



All-Makes Fleet Assets



We understand making money means keeping your vehicles on the road. **That's why uptime is so important to us.** Dependable equipment spec'd for your needs or requirements is just the beginning. We also focus on fuel economy, preventive maintenance, optimized service intervals and more to make sure the low cost of ownership of our vehicles helps keep you in the black.



OVER
700
INTERNATIONAL®
DEALER LOCATIONS

OVER
350
LOVE'S
LOCATIONS

=

OVER
1,050
TOTAL SERVICE
LOCATIONS

Our partnership with Love's and Speedco adds 350+ additional locations for quick, conveniently-located access to light mechanical and select warranty work.



**DIAMOND
EDGE®**
CERTIFIED DEALERS



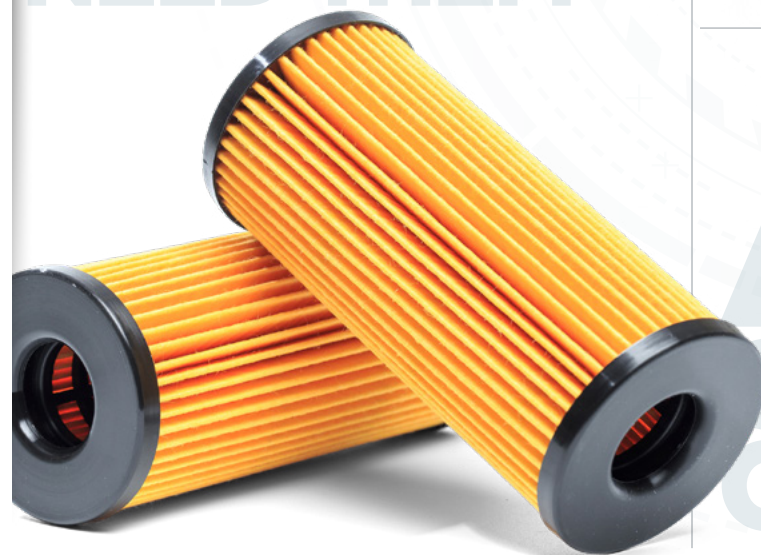
A select network of International dealers with service facilities that have passed rigorous certification guidelines to provide you with faster turnarounds, immediate parts availability and a higher level of servicing expertise



PARTS
YOU NEED,
WHERE AND
WHEN YOU
NEED THEM



OWNERSHIP
SUPPORT



A26
COMMAND
CENTER

